

Quick-Connect Faucet Adapter Kit Installation: Splendide Washer-Dryer

SAVE THESE INSTRUCTIONS

PART#154187104A

CAUTION

READ ALL INSTRUCTIONS that came with your washer-dryer before installing this Quick-Connect Faucet and Hose Assembly. We can not be held responsible for any damage to property or to persons caused directly or indirectly by your appliance or this accessory.

WARNING

A hose that is attached to a sink spray can burst if installed on the same water line as the washer-dryer. If your sink has a sink spray, it is recommended that the hose to the sink spray be disconnected or that you change to a faucet without a sink spray.

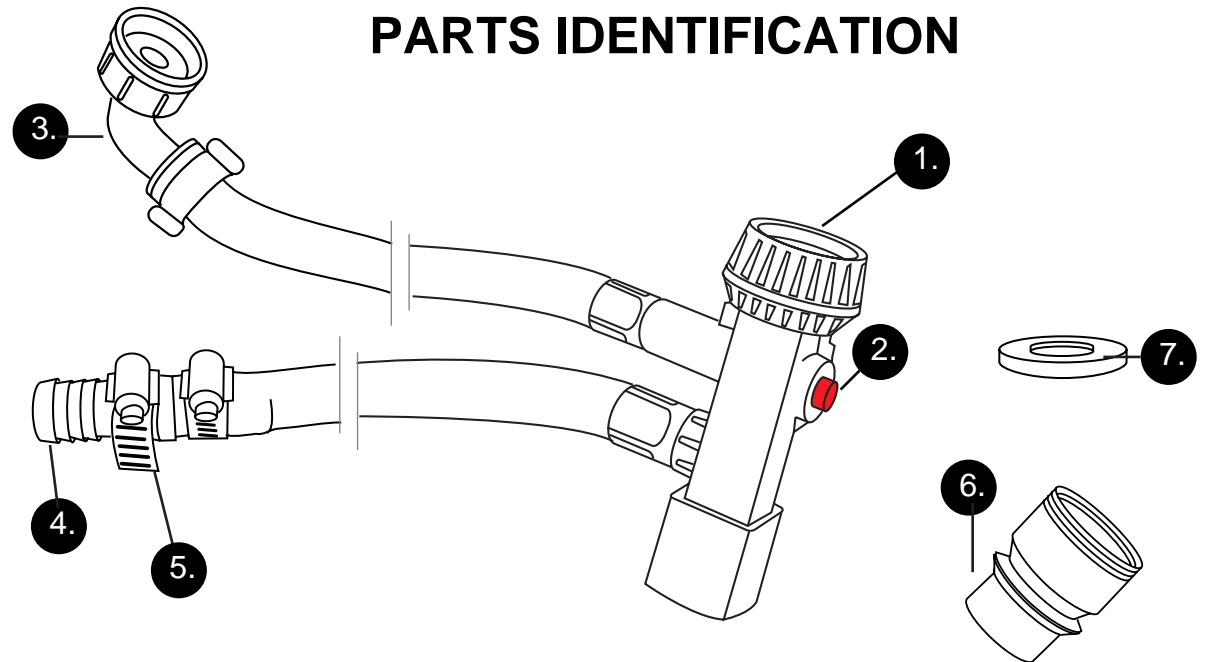
CAUTION

DO NOT LET CHILDREN DISCONNECT THE WASHER-DRYER. Close supervision of children is always important around appliances

Splendide[®]
Laundry Centers

SPLENDIDE DIV. WESTLAND SALES
Clackamas, OR / Elkhart, IN
Phone: 503-655-2563 (800-356-0766)
www.splendide.com

PARTS IDENTIFICATION



INSTALLATION INSTRUCTIONS

PART#154187104A

Quick-Connect Faucet Adapter Kit

For Splendide Combination Washer-Dryer

1. QUICK-CONNECT FAUCET ADAPTER
2. BLEEDER BUTTON
3. INLET HOSE CONNECTION
4. OUTLET (DRAIN) HOSE CONNECTION
5. WORM GEAR CLAMP
6. DUAL THREAD TAP ADAPTER
7. EXTRA RUBBER WASHER

Quick-Connect Faucet Adapter Kit Installation: Splendide Washer-Dryer

SAVE THESE INSTRUCTIONS

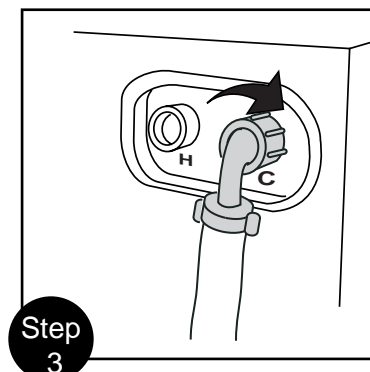
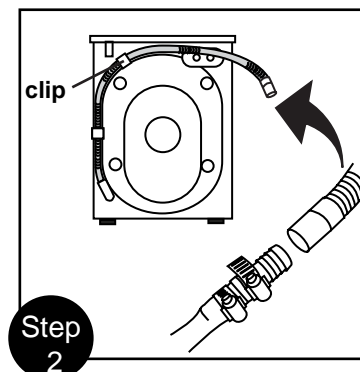
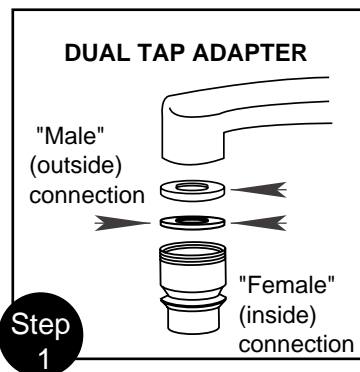
PART#154187104A

INSTALLATION INSTRUCTIONS

Step 1:

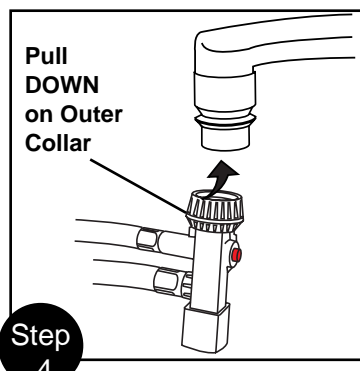
If your existing faucet adapter is not compatible with the Quick-Connect hose assembly supplied, use the Tap Adapter (Fig. 6) supplied with this Quick-Connect Faucet Adapter Kit:

- If your faucet has a "male" type thread connection, use only the thin rubber washer supplied inside the tap adapter.
- If your faucet has a "female" type thread connection, use the thin rubber washer supplied inside the tap adapter AND the thick rubber washer that came separately. Then, screw the faucet adapter onto the faucet, then check for leaks. (Use Teflon tape on threads to eliminate leaks if necessary.)



Step 2:

Connect the open end of the drain hose to the Outlet (Drain) Hose Connection. Secure with a worm gear clamp (provided). **NOTE: To prevent siphoning, attach the drain hose to the highest drain hose clip on the back of your machine.**



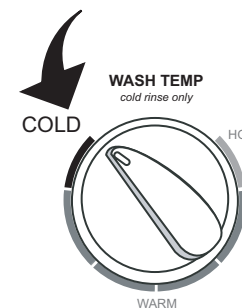
Step 3:

Connect the COLD water inlet hose at the rear of the washer-dryer to the Water Inlet Connection. **NOTE: DO NOT USE EXCESSIVE FORCE. Damage to the couplings can result. The couplings should be tightened by hand; a tool should be used only if a leak occurs and after you have used Teflon tape on threads.**

Using Your Washer-Dryer

When the Faucet Adapter Kit is installed, set the water temperature knob on your washer-dryer to COLD at all times. Actual wash temperatures are regulated by the temperature YOU set at the faucet.

Comb-o-matic (Non-Vented) Models ONLY: Your machine requires cold water to dry. During the dry cycle, your faucet must be set to the coldest position.



Step 4:

Attach the Quick-Connect Faucet Adapter by pulling down on the outer collar while pushing upwards on the faucet or Tap Adapter. When the Quick Connect snaps onto the adapter, release the outer collar and it will lock into place. Check for a correct fit.

Step 5:

Slowly open the water line. Examine all hose connections for water leaks. Immediately close the water supply and repair the hose connections if leaks are found.

Disconnect Your Washer-Dryer When Not In Use

- When the cycle is complete, close water supply at faucet, then disconnect power supply cord.
- Release water pressure from inside the fill hose by pressing the "red" Bleeder Button on the Quick Connect Assembly until the water flow stops. Then, disconnect the Quick Connect Hose Assembly from the faucet by pulling down on the outer collar. (When the washer-dryer is not in use, place/store the hose on a hanger hose bracket or similar hanging device.)



WARNING



Before disconnecting the Quick-Connect Assembly from the faucet, always relieve water pressure by pressing the Bleeder Button until the flow of water stops. Failure to do so will result in back-pressure over spray. **BACK-PRESSURE OVER SPRAY COULD CAUSE SEVERE BURNS AND/OR SCALDING AS THE TEMPERATURE OF INCOMING WATER COULD BE VERY HOT.**

If you are unable to successfully complete this installation yourself, please call our Service Headquarters: **1-800-356-0766 (503-655-2563)**